

# USI® 1 1/4" CLASSIC BALL STYLE GAS METER VALVE—200 PSIG



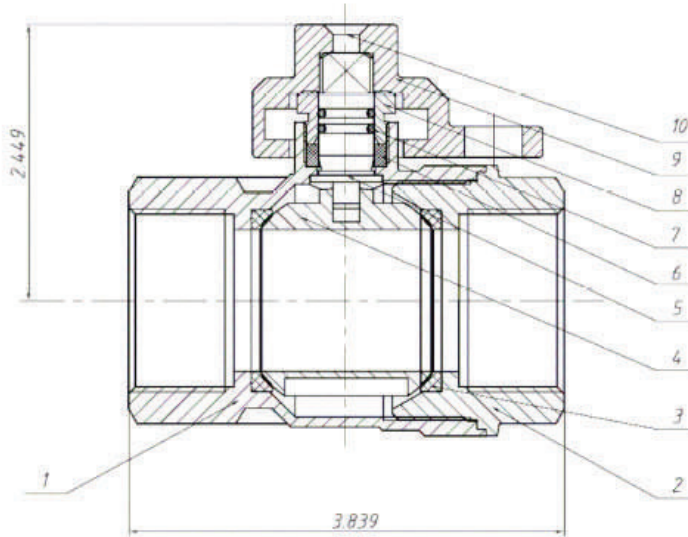
- \* Meets all applicable parts of ASME B16.33.
- \* Tamper proof design
- \* Brass body
- \* Dual o-ring sealed stem
- \* Integral locking cap



Plain Brass  
**GV5BLFF**



Nickel/Chrome  
Plated  
**GV5BLFF-C**



- \* Virgin PTFE seats
- \* Nickel/Chrome plated brass ball
- \* 200 psig nominal working pressure - 300 psig test pressure

ITEM	DRAWING NO	DESCRIPTION	MATERIAL	QTY	REMARKS
1	GV5BLFF-1	Body	C37700	1	Sand Polishing Brass or Nickel/Chrome Plated
2	GV5BLFF-2	End Cap	C37700	1	Sand Polishing Brass or Nickel/Chrome Plated
3	GV5BLFF-6	Rubber Seat	PTFE	2	DK (M111)
4	GV5BLFF-3	Ball	C37700	1	Sand Polishing/Chrome Plating
5	GV5BLFF-4	Stem	C36000	1	Brass
6	GV5BLFF-7	Thrust Washer	EPDM	1	Ø0.71XØ0.49X0.2
7	GV5BLFF-8	O-Ring	EPDM	2	Ø0.36XØ0.1
8	GV5BLFF-5	Grand Nut	C36000	1	Brass
9	GV5BLFF-9	Handle	C37700	1	Sand Polishing Brass or Nickel/Chrome Plated
10		Screw Bolt	SUS 305	1	G/T6561-86-M5