

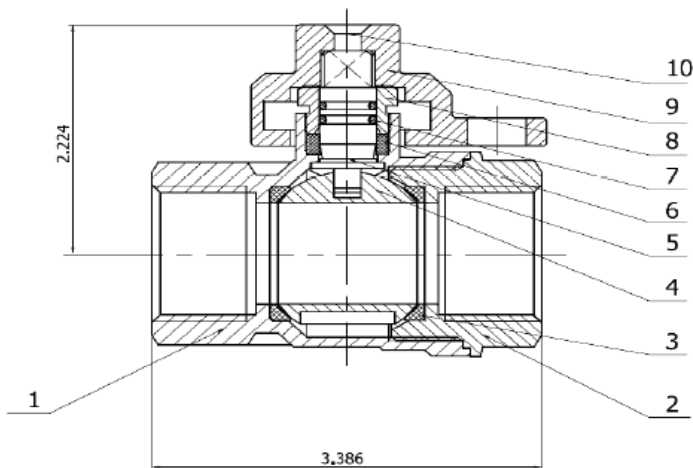
# USI® 1" CLASSIC BALL STYLE GAS METER VALVE—200 PSIG



- \* Meets all applicable parts of ASME B16.33.
- \* Tamper proof design
- \* Brass body
- \* Dual o-ring sealed stem
- \* Integral locking cap
- \* Virgin PTFE seats
- \* Nickel/Chrome plated brass ball
- \* 200 psig nominal working pressure - 300 psig test pressure



Plain Brass  
**GV4BLFF**



Nickel/  
Chrome Plated  
**GV4BLFF-C**

ITEM	DRAWING NO	DESCRIPTION	MATERIAL	QTY	REMARKS
1	GV4BLFF-1	Body	C37700	1	Sand Polishing Brass or Nickel/Chrome Plated
2	GV4BLFF-2	End Cap	C37700	1	Sand Polishing Brass or Nickel/Chrome Plated
3	GV4BLFF-6	Rubber Seat	PTFE	2	DK (M111)
4	GV4BLFF-3	Ball	C37700	1	Sand Polishing/Chrome Plating
5	GV4BLFF-4	Stem	C36000	1	Brass
6	GV4BLFF-7	Thrust Washer	EPDM	1	Ø0.71XØ0.49X0.2
7	GV4BLFF-8	O-Ring	EPDM	2	Ø0.36XØ0.1
8	GV4BLFF-5	Grand Nut	C36000	1	Brass
9	GV4BLFF-9	Handle	C37700	1	Sand Polishing Brass or Nickel/Chrome Plated
10		Screw Bolt	SUS 305	1	G/T6561-86-M5