

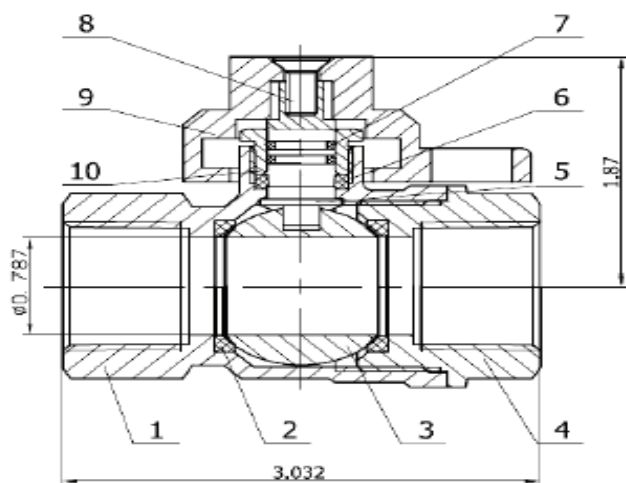
# USI® 3/4" CLASSIC BALL STYLE GAS METER VALVE—200 PSIG



- \* Meets all applicable parts of ASME B16.33.
- \* Tamper proof design
- \* Brass body
- \* Dual o-ring sealed stem
- \* Integral locking cap
- \* Virgin PTFE seats
- \* Nickel/Chrome plated brass ball
- \* 200 psig nominal working pressure - 300 psig test pressure



Plain Brass  
**GV3BLFF**



Nickel/  
Chrome Plated  
**GV3BLFF-C**

ITEM	DRAWING NO	DESCRIPTION	MATERIAL	QTY	REMARKS
1	GV3BLFF-1	Body	C37700	1	Sand Polishing Brass or Nickel/Chrome Plated
2	GV3BLFF-2	Rubber Seat	PTFE	2	DK (M111)
3	GV3BLFF-3	Ball	C36000	1	Sand Polishing/Chrome Plating
4	GV3BLFF-4	End Cap	C37700	1	Sand Polishing Brass or Nickel/Chrome Plated
5	GV3BLFF-5	Stem	C36000	1	Brass
6	GV3BLFF-6	Thrust Washer	EPDM	1	Ø0.59XØ0.43X0.14
7	GV3BLFF-7	O-Ring	EPDM	1	Ø0.30XØ0.07
8		Screw Bolt	SUS 305	1	G/T6561-86-M5
9	GV3BLFF-9	Handle	C37700	1	Sand Polishing Brass or Nickel/Chrome Plated
10	GV3BLFF-10	Grand Nut	C36000	1	Brass