

USI® 1" DE CLASSIC BALL STYLE GAS METER VALVE—200 PSIG

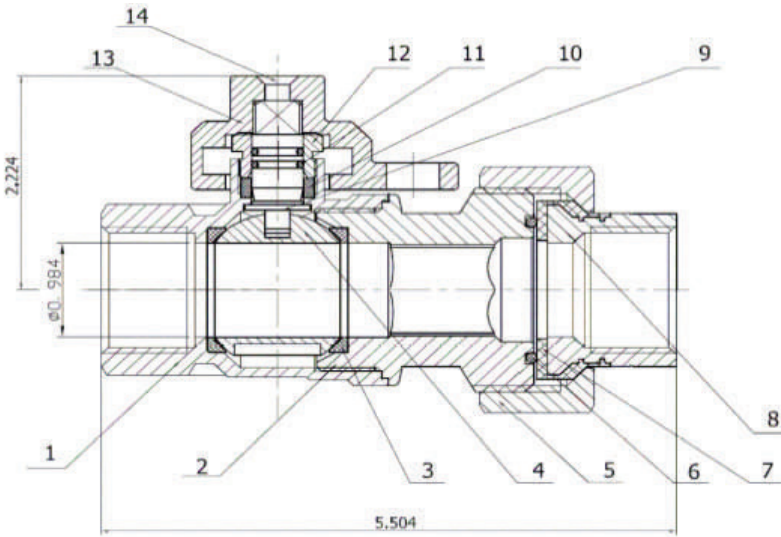


- * Meets all applicable parts of ASME B16.33.
- * Tamper proof design
- * Brass body
- * Dual o-ring sealed stem
- * Integral locking cap



Plain Brass
GV14BLFF

Nickel/Chrome Plated
GV14BLFF-C



- * Virgin PTFE seats
- * Nickel/Chrome plated brass ball
- * 200 psig nominal working pressure - 300 psig test pressure

ITEM	DRAWING NO	DESCRIPTION	MATERIAL	QTY	REMARKS
1	GV4BLFF-1	Body	C37700	1	Sand Polishing Brass or Nickel/Chrome Plated
2	GV14BLFF-4	End Cap	C37700	1	Sand Polishing Brass or Nickel/Chrome
3	GV4BLFF-6	Rubber Seat	PTFE	2	DK (M111)
4	GV4BLFF-3	Ball	C36000	1	Sand Polishing/Chrome Plating
5	GV14BLFF-3	Connecting Nut	C37700	1	Sand Polishing Brass or Nickel/Chrome Plated
6	GV14BLFF-4	O-Ring	EPDM	1	Ø1.3XØ.1
7	GV14BLFF-5	Washer	Nylon	1	Nylon
8	GV14BLFF-6	Connecting Tube	C37700	1	Sand Polishing Brass or Nickel/Chrome Plated
9	GV4BLFF-4	Stem	C36000	1	Brass
10	GV4BLFF-7	Thrust Washer	EPDM	1	Ø0.73XØ0.55X0.2
11	GV4BLFF-8	O-Ring	EPDM	2	Ø0.43XØ0.07
12	GV4BLFF-5	Grand Nut	C36000	1	Brass
13	GV4BLFF-9	Handle	C37700	1	Sand Polishing Brass or Nickel/Chrome Plated
14		Screw Bolt	SUS 305	1	G/T6561-86-M5