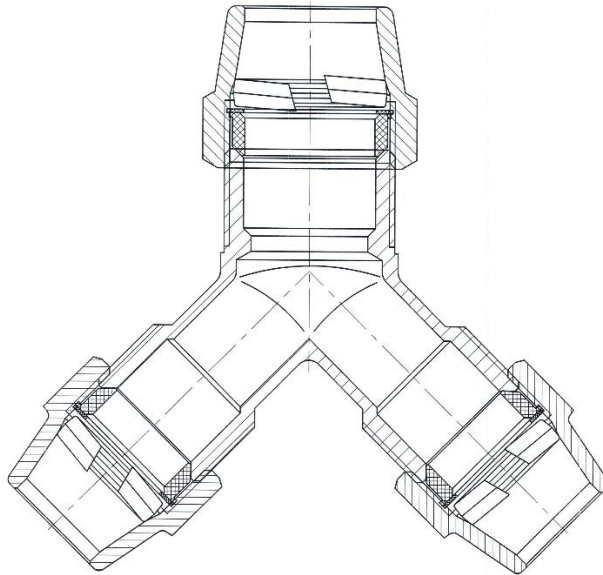




## Submittal Information

United Grip Joint Wye

Grip Joint for Copper or Plastic Tubing (CTS)



Single Branch End	Multi-Branch Ends	Weight Lbs.	Part Number
1"	$\frac{3}{4}$ "	1.98	SY43GG-NL

➤ Pack Joint Nuts are available upon request

### Features

- All brass parts that come into contact with potable water conforms to AWWA Standard C800 (UNS C89833)
- Components that do not contact potable water conforms to AWWA Standard C800 ( ASTM B-62 and ASTM B-584, UNS NO C83600 – 85-5-5-5 )
- Classified to ANSI/NSF 61 and Annex G
- The product has “NL” letters cast into body of fitting for proper identification
- Valve is non-directional and is watertight with flow in either direction
- Ends are integral or secured with adhesive to prevent unintentional disassembly

Utilities Supply, Inc.

575 Loganville Hwy

Winder, GA 30680

Website: [utilityessupply.com](http://utilityessupply.com)

Email: [sales@utilityessupply.com](mailto:sales@utilityessupply.com)