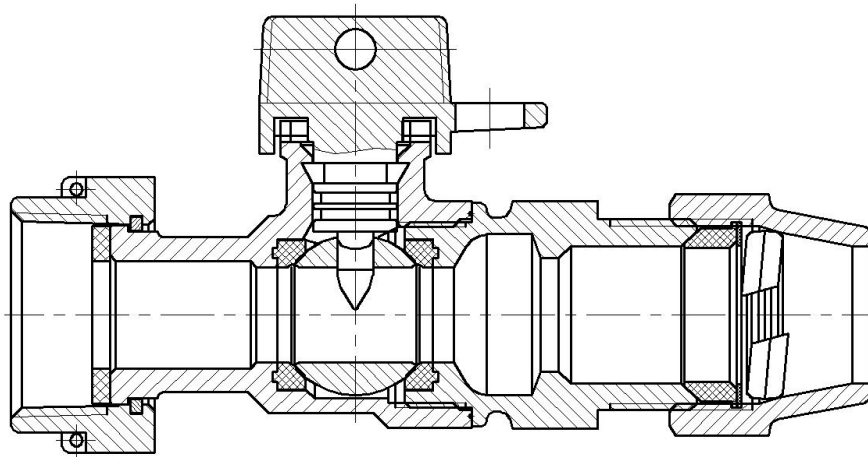




## Submittal Information

United Ball Valve Curb Stop

Grip Joint for Copper or Plastic Tubing (CTS) x Meter Swivel Nut



Inlet Size	Meter Outlet Size	Valve Size	Weight Lbs.	Length	Part Number
3/4"	5/8" x 3/4" & 3/4"	5/8"	1.69	3-29/32"	MV23BLGG - NL
*3/4"	5/8" x 3/4" & 3/4"	3/4"	2.31	3-57/64"	MV3BLGG - NL
1"	1"	3/4"	2.46	3-39/64"	MV34BLGG - NL

➤ Pack Joint Nuts are available upon request

### Features

- All brass parts that come into contact with potable water conforms to AWWA Standard C800 (UNS C89833)
- Components that do not contact potable water conform to AWWA Standard C800 ( ASTM B-62 and ASTM B-584, UNS NO C83600 – 85-5-5-5 )
- Classified to ANSI/NSF 61 and Annex G
- The product has "NL" letters cast into body of fitting for proper identification
- Valve is non-directional and is watertight with flow in either direction
- Ends are integral or secured with adhesive to prevent unintentional disassembly

Utilities Supply, Inc.

575 Loganville Hwy

Winder, GA 30680

Website: [utilitiessupply.com](http://utilitiessupply.com)

Email: [sales@utilitiessupply.com](mailto:sales@utilitiessupply.com)